



**Convemed Sdn Bhd**

(202001026355 (1382675-W))



Corporate Office: CT-09-01, Corporate Tower Subang  
Square, Jalan SS15/4G, 47500 Subang Jaya, Selangor, Malaysia.

Tel: +60 3 8605 4677

Factory: No.2, Jalan Sungai Batu, Kawasan  
Perindustrian Klang Utama, 42100 Klang, Selangor, Malaysia.

Tel: +60 3 3292 8215

Website: [www.convemed.com](http://www.convemed.com)  
Email: [sales@convemed.com.my](mailto:sales@convemed.com.my)



**ConveMed**

**PRODUCT  
CATALOGUE**



## TABLE OF CONTENTS

No.	Content	Page
1.	Syringes	
	ConveMed® Single-Use Syringe	1 - 3
	ConveMed® Single-Use Syringe with Needle	4 - 5
	ConveMed® Oral Syringe	6
	MEDECO INJECT® Single-Use Syringe	7 - 9
	MEDECO INJECT® Single-Use Syringe with Needle	10
	MEDECO INJECT® Insulin Syringe	11
	MEDECO INJECT® AD Auto Disable Syringe	12
	MEDECO INJECT® Reuse Prevention Syringe	13
2.	Needles	
	ConveMed® Hypodermic Needle	14
	MEDECO INJECT® Hypodermic Needle	15

# CONVEMED® SINGLE-USE SYRINGE

Our vision is to be the best manufacturer to deliver world-class quality medical devices with state-of-the-art facilities to ensure efficiency, safety and reliability of the product.

### ConveMed® Syringe Quality:

- Consistent and persistent quality control and validation at every stage of production.
- Implementation of automation process that is safe, low-risk and ensures limited particle and microbe concentration. This automation increases production and reduces the workload on human resources while providing streamlined protection for our products from production to shipment.
- We also provide accurate performance reports to our valued customers, ensuring complete transparency in our operations.

**ConveMed® Single-use Syringes** is a three-part syringes and available in a variety of sizes and luer lock or slip configurations to meet a wide range of medical needs.

- Low dead-space to reduce wastage.
- Transparent barrel and friction-resistant barrel lines to make the content and scale mark easy to see.
- Medical grade silicone oil is used as a lubricant, ensure smooth plunger motion.
- A backstop design to prevent the plunger from unintentionally being pulled out of the barrel.
- A broad, stable plunger grip for support and comfort during injection.
- Sterilized by ETO, non-pyrogenic, non-toxic and latex-free.
- Fit for all different needle sizes.



# CONVEMED® SINGLE-USE SYRINGE LUER LOCK



MDA Registration NO.:

Item Code	Volume	Quantity per Box	Quantity per Carton
GDS-010000L*	1 ml	100	2000
GDS-030000L	3 ml	100	1800
GDS-050000L	5 ml	100	1200
GDS-100000L	10 ml	100	1200
GDS-200000L	20 ml	50	600
GDS-500000L	50 ml	25	300
GDS-600000L	60 ml	25	300

\* Low Dead Space feature

# CONVEMED® SINGLE-USE SYRINGE LUER SLIP



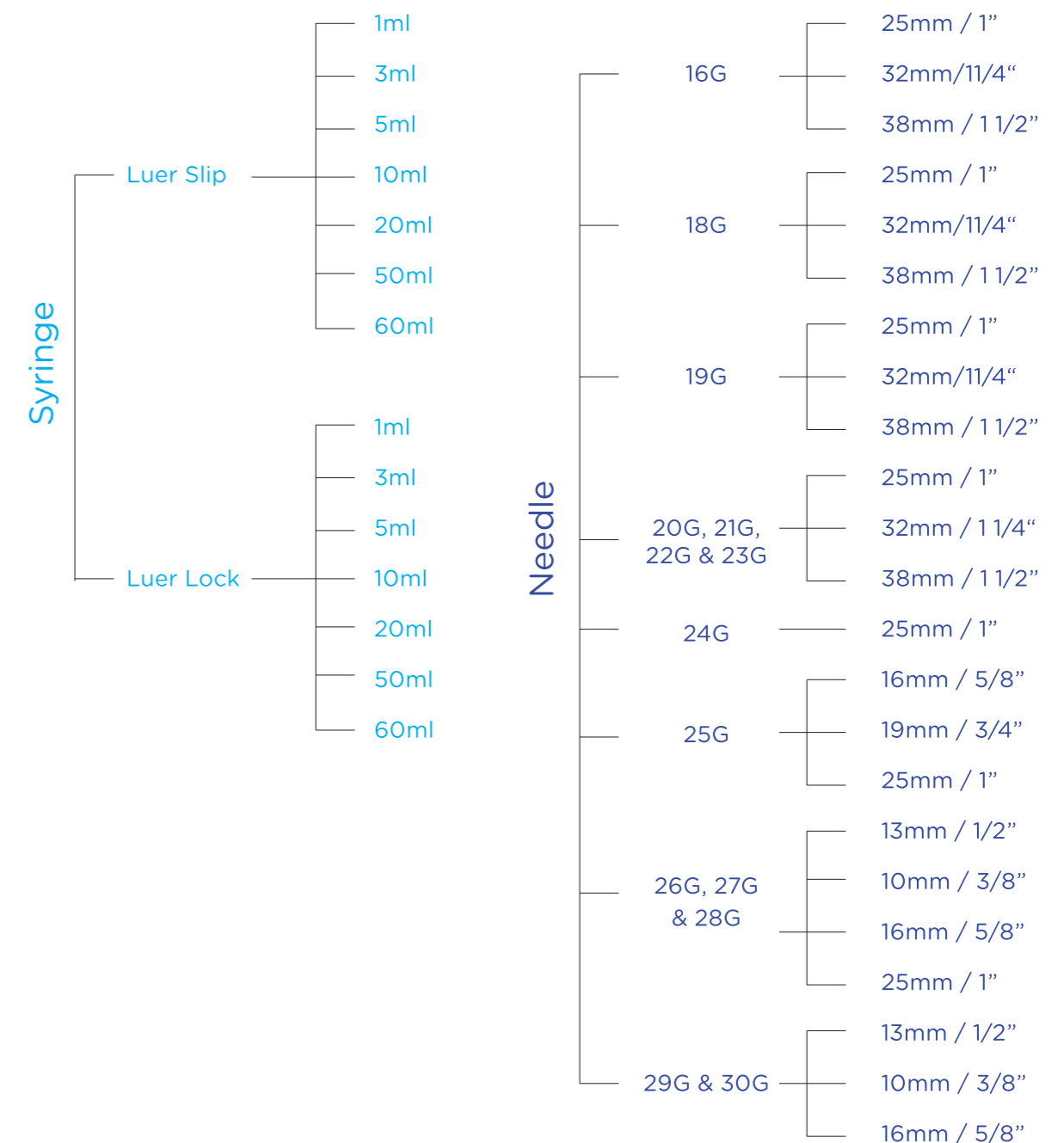
MDA Registration No.:

Item Code	Volume	Quantity per Box	Quantity per Carton
GDS-010000S*	1 ml	100	2000
GDS-030000S	3 ml	100	1800
GDS-050000S	5 ml	100	1200
GDS-100000S	10 ml	100	1200
GDS-200000S	20 ml	50	600
GDS-500000S	50 ml	25	300
GDS-600000S	60 ml	25	300

\* Low Dead Space feature

# CONVEMED® SINGLE-USE SYRINGE WITH NEEDLE LUER LOCK / LUER SLIP

Convemed offer over 43 types of needles that can be paired and customized with the syringe of your choice.



MDA Registration No.:

# CONVEMED® SINGLE-USE SYRINGE WITH NEEDLE LUER LOCK / LUER SLIP

Convemed offer over 43 types of needles that can be paired and customized with the syringe of your choice.

Volume	1ml		3ml		5ml		10ml		20ml		50ml	
Luer Type	Luer Lock	Luer Slip	Luer Lock	Luer Slip	Luer Lock	Luer Slip	Luer Lock	Luer Slip	Luer Lock	Luer Slip	Luer Lock	Luer Slip
16G x 1 1/2"	GDS-011638L	GDS-011638S	GDS-031638L	GDS-031638S	GDS-051638L	GDS-051638S	GDS-101638L	GDS-101638S	GDS-201638L	GDS-201638S	GDS-501638L	GDS-501638S
16G x 1 1/4"	GDS-011632L	GDS-011632S	GDS-031632L	GDS-031632S	GDS-051632L	GDS-051632S	GDS-101632L	GDS-101632S	GDS-201632L	GDS-201632S	GDS-501632L	GDS-501632S
16G x 1"	GDS-011625L	GDS-011625S	GDS-031625L	GDS-031625S	GDS-051625L	GDS-051625S	GDS-101625L	GDS-101625S	GDS-201625L	GDS-201625S	GDS-501625L	GDS-501625S
18G x 1 1/2"	GDS-011838L	GDS-011838S	GDS-031838L	GDS-031838S	GDS-051838L	GDS-051838S	GDS-101838L	GDS-101838S	GDS-201838L	GDS-201838S	GDS-501838L	GDS-501838S
18G x 1 1/4"	GDS-011832L	GDS-011832S	GDS-031832L	GDS-031832S	GDS-051832L	GDS-051832S	GDS-101832L	GDS-101832S	GDS-201832L	GDS-201832S	GDS-501832L	GDS-501832S
18G x 1"	GDS-011825L	GDS-011825S	GDS-031825L	GDS-031825S	GDS-051825L	GDS-051825S	GDS-101825L	GDS-101825S	GDS-201825L	GDS-201825S	GDS-501825L	GDS-501825S
19G x 1 1/2"	GDS-011938L	GDS-011938S	GDS-031938L	GDS-031938S	GDS-051938L	GDS-051938S	GDS-101938L	GDS-101938S	GDS-201938L	GDS-201938S	GDS-501938L	GDS-501938S
19G x 1 1/4"	GDS-011932L	GDS-011932S	GDS-031932L	GDS-031932S	GDS-051932L	GDS-051932S	GDS-101932L	GDS-101932S	GDS-201932L	GDS-201932S	GDS-501932L	GDS-501932S
19G x 1"	GDS-011925L	GDS-011925S	GDS-031925L	GDS-031925S	GDS-051925L	GDS-051925S	GDS-101925L	GDS-101925S	GDS-201925L	GDS-201925S	GDS-501925L	GDS-501925S
20G x 1 1/2"	GDS-012038L	GDS-012038S	GDS-032038L	GDS-032038S	GDS-052038L	GDS-052038S	GDS-102038L	GDS-102038S	GDS-202038L	GDS-202038S	GDS-502038L	GDS-502038S
20G x 1 1/4"	GDS-012032L	GDS-012032S	GDS-032032L	GDS-032032S	GDS-052032L	GDS-052032S	GDS-102032L	GDS-102032S	GDS-202032L	GDS-202032S	GDS-502032L	GDS-502032S
20G x 1"	GDS-012025L	GDS-012025S	GDS-032025L	GDS-032025S	GDS-052025L	GDS-052025S	GDS-102025L	GDS-102025S	GDS-202025L	GDS-202025S	GDS-502025L	GDS-502025S
21G x 1 1/2"	GDS-012138L	GDS-012138S	GDS-032138L	GDS-032138S	GDS-052138L	GDS-052138S	GDS-102138L	GDS-102138S	GDS-202138L	GDS-202138S	GDS-502138L	GDS-502138S
21G x 1 1/4"	GDS-012132L	GDS-012132S	GDS-032132L	GDS-032132S	GDS-052132L	GDS-052132S	GDS-102132L	GDS-102132S	GDS-202132L	GDS-202132S	GDS-502132L	GDS-502132S
21G x 1"	GDS-012125L	GDS-012125S	GDS-032125L	GDS-032125S	GDS-052125L	GDS-052125S	GDS-102125L	GDS-102125S	GDS-202125L	GDS-202125S	GDS-502125L	GDS-502125S
22G x 1 1/2"	GDS-012238L	GDS-012238S	GDS-032238L	GDS-032238S	GDS-052238L	GDS-052238S	GDS-102238L	GDS-102238S	GDS-202238L	GDS-202238S	GDS-502238L	GDS-502238S
22G x 1 1/4"	GDS-012232L	GDS-012232S	GDS-032232L	GDS-032232S	GDS-052232L	GDS-052232S	GDS-102232L	GDS-102232S	GDS-202232L	GDS-202232S	GDS-502232L	GDS-502232S
22G x 1"	GDS-012225L	GDS-012225S	GDS-032225L	GDS-032225S	GDS-052225L	GDS-052225S	GDS-102225L	GDS-102225S	GDS-202225L	GDS-202225S	GDS-502225L	GDS-502225S
23G x 1 1/2"	GDS-012338L	GDS-012338S	GDS-032338L	GDS-032338S	GDS-052338L	GDS-052338S	GDS-102338L	GDS-102338S	GDS-202338L	GDS-202338S	GDS-502338L	GDS-502338S
23G x 1 1/4"	GDS-012332L	GDS-012332S	GDS-032332L	GDS-032332S	GDS-052332L	GDS-052332S	GDS-102332L	GDS-102332S	GDS-202332L	GDS-202332S	GDS-502332L	GDS-502332S
23G x 1"	GDS-012325L	GDS-012325S	GDS-032325L	GDS-032325S	GDS-052325L	GDS-052325S	GDS-102325L	GDS-102325S	GDS-202325L	GDS-202325S	GDS-502325L	GDS-502325S
24G x 1"	GDS-012425L	GDS-012425S	GDS-032425L	GDS-032425S	GDS-052425L	GDS-052425S	GDS-102425L	GDS-102425S	GDS-202425L	GDS-202425S	GDS-502425L	GDS-502425S
25G x 1"	GDS-012525L	GDS-012525S	GDS-032525L	GDS-032525S	GDS-052525L	GDS-052525S	GDS-102525L	GDS-102525S	GDS-202525L	GDS-202525S	GDS-502525L	GDS-502525S
25G x 3/4"	GDS-012519L	GDS-012519S	GDS-032519L	GDS-032519S	GDS-052519L	GDS-052519S	GDS-102519L	GDS-102519S	GDS-202519L	GDS-202519S	GDS-502519L	GDS-502519S
25G x 5/8"	GDS-012516L	GDS-012516S	GDS-032516L	GDS-032516S	GDS-052516L	GDS-052516S	GDS-102516L	GDS-102516S	GDS-202516L	GDS-202516S	GDS-502516L	GDS-502516S
26G x 1"	GDS-012625L	GDS-012625S	GDS-032625L	GDS-032625S	GDS-052625L	GDS-052625S	GDS-102625L	GDS-102625S	GDS-202625L	GDS-202625S	GDS-502625L	GDS-502625S
26G x 1/2"	GDS-012613L	GDS-012613S	GDS-032613L	GDS-032613S	GDS-052613L	GDS-052613S	GDS-102613L	GDS-102613S	GDS-202613L	GDS-202613S	GDS-502613L	GDS-502613S
26G x 5/8"	GDS-012616L	GDS-012616S	GDS-032616L	GDS-032616S	GDS-052616L	GDS-052616S	GDS-102616L	GDS-102616S	GDS-202616L	GDS-202616S	GDS-502616L	GDS-502616S
26G x 3/8"	GDS-012610L	GDS-012610S	GDS-032610L	GDS-032610S	GDS-052610L	GDS-052610S	GDS-102610L	GDS-102610S	GDS-202610L	GDS-202610S	GDS-502610L	GDS-502610S
27G x 1"	GDS-012725L	GDS-012725S	GDS-032725L	GDS-032725S	GDS-052725L	GDS-052725S	GDS-102725L	GDS-102725S	GDS-202725L	GDS-202725S	GDS-502725L	GDS-502725S
27G x 5/8"	GDS-012716L	GDS-012716S	GDS-032716L	GDS-032716S	GDS-052716L	GDS-052716S	GDS-102716L	GDS-102716S	GDS-202716L	GDS-202716S	GDS-502716L	GDS-502716S
27G x 1/2"	GDS-012713L	GDS-012713S	GDS-032713L	GDS-032713S	GDS-052713L	GDS-052713S	GDS-102713L	GDS-102713S	GDS-202713L	GDS-202713S	GDS-502713L	GDS-502713S
27G x 3/8"	GDS-012710L	GDS-012710S	GDS-032710L	GDS-032710S	GDS-052710L	GDS-052710S	GDS-102710L	GDS-102710S	GDS-202710L	GDS-202710S	GDS-502710L	GDS-502710S
28G x 1"	GDS-012825L	GDS-012825S	GDS-032825L	GDS-032825S	GDS-052825L	GDS-052825S	GDS-102825L	GDS-102825S	GDS-202825L	GDS-202825S	GDS-502825L	GDS-502825S
28G x 5/8"	GDS-012816L	GDS-012816S	GDS-032816L	GDS-032816S	GDS-052816L	GDS-052816S	GDS-102816L	GDS-102816S	GDS-202816L	GDS-202816S	GDS-502816L	GDS-502816S
28G x 1/2"	GDS-012813L	GDS-012813S	GDS-032813L	GDS-032813S	GDS-052813L	GDS-052813S	GDS-102813L	GDS-102813S	GDS-202813L	GDS-202813S	GDS-502813L	GDS-502813S
28G x 3/8"	GDS-012810L	GDS-012810S	GDS-032810L	GDS-032810S	GDS-052810L	GDS-052810S	GDS-102810L	GDS-102810S	GDS-202810L	GDS-202810S	GDS-502810L	GDS-502810S
29G x 5/8"	GDS-012916L	GDS-012916S	GDS-032916L	GDS-032916S	GDS-052916L	GDS-052916S	GDS-102916L	GDS-102916S	GDS-202916L	GDS-202916S	GDS-502916L	GDS-502916S
29G x 1/2"	GDS-012913L	GDS-012913S	GDS-032913L	GDS-032913S	GDS-052913L	GDS-052913S	GDS-102913L	GDS-102913S	GDS-202913L	GDS-202913S	GDS-502913L	GDS-502913S
29G x 3/8"	GDS-012910L	GDS-012910S	GDS-032910L	GDS-032910S	GDS-052910L	GDS-052910S	GDS-102910L	GDS-102910S	GDS-202910L	GDS-202910S	GDS-502910L	GDS-502910S
30G x 5/8"	GDS-013016L	GDS-013016S	GDS-033016L	GDS-033016S	GDS-053016L	GDS-053016S	GDS-103016L	GDS-103016S	GDS-203016L	GDS-203016S	GDS-503016L	GDS-503016S
30G x 1/2"	GDS-013013L	GDS-013013S	GDS-033013L	GDS-033013S	GDS-053013L	GDS-053013S	GDS-103013L	GDS-103013S	GDS-203013L	GDS-203013S	GDS-503013L	GDS-503013S
30G x 3/8"	GDS-013010L	GDS-013010S	GDS-033010L	GDS-033010S	GDS-053010L	GDS-053010S	GDS-103010L	GDS-103010S	GDS-203010L	GDS-203010S	GDS-503010L	GDS-503010S

MDA Registration No.:

# CONVEMED® ORAL SYRINGE

The syringe serves as a dispenser, measuring device, and fluid transfer tool. Its tip is designed to comply with ISO80369-3 standards and is not compatible with luer connectors, thereby preventing any incorrect medical pipeline connections. When using a syringe in combination with an infusion pump, which accurately controls the infusion speed and volume, it is essential to recognize the syringe's nominal capacity correspondingly.



MDA Registration No.:

Item Code	Volume	Quantity per Box	Quantity per Carton
GDO-010000L	1 ml	100	1200
GDO-020000L	2 ml	100	1200
GDO-030000L	3 ml	100	1200
GDO-050000L	5 ml	100	1200
GDO-100000L	10 ml	100	1200
GDO-200000L	20 ml	50	600
GDO-500000L	50 ml	25	300

# MEDECO INJECT® SYRINGES

- MEDECO INJECT® range of syringes are imported from Abu Dhabi. The manufacturer, Abu Dhabi Medical Devices Company (ADMD) was set up as a joint venture between ADNIP, UAE and NNE Pharmaplan, Germany in 1999.
- ADMD products are manufactured in an array of connected processes managed systematically according to the standards of International Organization for Standardization integrated with the requirements of Good Manufacturing Practices guided by World Health Organization.
- ADMD is certified for compliance with NS EN ISO 13485:2012, ISO 9001:2015, UAE MOH GMP and ADMD products are CE Marked and WHO prequalified as applicable.
- In year 2003, ADMD commissioned a new production line dedicated to Auto-Disable (AD) syringes which will automatically become non-usable after their first use. ADMD became the first and only manufacturer of Auto Disable syringes in the Middle East and Africa. AD syringes virtually eliminate the risk of patient-to-patient infection via blood-borne pathogens (such as Hepatitis B or HIV) because they cannot be refilled and reused. Today ADMD is the only WHO approved manufacturer of Auto Disable Syringes in the Middle East producing over 400 Million Auto Disable Syringes annually.

# MEDECO INJECT® SINGLE-USE SYRINGE LUER LOCK

Three part, Luer Lock, Barrel made up of medical grade Polypropylene, 0.1 to 1ml graduation, Individually blister packed, Sterilized by ETO, Pyrogen Free, Non-toxic and Latex Free.



MDA Registration No.:

Item Code	Volume	Quantity per Box	Quantity per Carton
SFG-04076	1 ml	100	3000
SFG-05003	2/3 ml	100	3000
SFG-06003	5 ml	100	3000
SFG-07048	10 ml	100	2000
SFG-08046	20 ml	50	2000
SFG-09042	50 ml	25	1000
SFG-10039	60 ml	25	1000



## MEDECO INJECT® SINGLE-USE SYRINGE LUER SLIP

Three part, Luer Slip, Barrel made up of medical grade Polypropylene, 0.1 to 1ml graduation, Individually blister packed, Sterilized by ETO, Pyrogen Free, Non-toxic and Latex Free.



MDA Registration No.:

Item Code	Volume	Quantity per Box	Quantity per Carton
SFG-04057	1 ml	100	3000
SFG-05061	2/3 ml	100	3000
SFG-06090	5 ml	100	3000
SFG-07051	10 ml	100	2000
SFG-08043	20 ml	50	2000
SFG-09012	50 ml	25	1000
SFG-10054	60 ml	25	1000

## MEDECO INJECT® SINGLE-USE SYRINGE 1ML WITH NEEDLE

Three part, Luer slip/Luer Lock, Barrel made up of medical grade Polypropylene, 0.1 to 1ml graduation, Individually blister packed, Sterilized by ETO, Pyrogen Free, Non-toxic and Latex Free.



MDA Registration No.: GB4908121-72390

Item Code	Volume	Luer Type	Needle size	Quantity per Box	Quantity per Carton
SFG-04072	1 ml	Luer Slip	24G x 1"	100	3,000

Other sizes of **MEDECO INJECT® Single-Use Syringe with Needle**

Item Code	Volume	Luer Type	Needle size	Quantity per Box	Quantity per Carton
SFG-04045	1 ml	Luer Slip	23G x 1"	100	3000
SFG-04075	1 ml	Luer Slip	30G x 8mm	100	3000
SFG-05065	2/3 ml	Luer Slip	21G x 1"	100	3000
SFG-05067	2/3 ml	Luer Slip	21G x 1 1/2"	100	3000
SFG-05071	2/3 ml	Luer Slip	23G x 1"	100	3000
SFG-05073	2/3 ml	Luer Slip	23G x 1 1/2"	100	2000
SFG-06108	5 ml	Luer Slip	23G x 1 1/2"	100	2000
SFG-06109	5 ml	Luer Slip	21G x 1 1/2"	100	2000
SFG-07057	10 ml	Luer Slip	21G x 1 1/2"	100	2000
SFG-09047	50 ml	Luer Slip	21G x 1 1/2"	50	1000

MDA Registration No.: GB4908121-72390

## MEDECO INJECT® INSULIN SYRINGES 1ML FOR U-100 WITH NEEDLE

Three part, Integrated needle, Barrel made up of medical grade Polypropylene, Individually blister packed, fitted with orange needle cap, Sterilized by ETO, Pyrogen Free, Latex Free and Non-toxic.

As per ISO 8537



MDA Registration No.:

Item Code	Volume	Needle size	Quantity per Box	Quantity per Carton
U-100 Insulin	1ml	30G x 5/8" (0.30 x 8.0mm)	100	3,000

## MEDECO INJECT® AD AUTO DISABLE SYRINGE 0.5ML

Three part syringe, 0 & 0.5ml graduation, with AD mechanism capsule and Plunger stop, Fixed needle, Individually blister packed, Sterilized by ETO, Pyrogen Free, Non-toxic and Latex Free.

As per ISO 7886-3



PERFORMANCE QUALITY SAFETY			
	<b>E008:</b> Auto-disable syringe for fixed dose immunization		
PQS code:	E008/004		
Description:	AD syringe 0.5 ml		
Manufacturer's reference:	MEDECO® INJECT AD 0.5 ml		
Manufactured in:	United Arab Emirates		
Company:	Abu Dhabi Medical Devices Co. L.L.C		
Address:	P.O.Box 30485, Abu Dhabi United Arab Emirates		
Telephone:	+971-2-6199100		
Email:	info@admd.ae		
Web address:	http://www.admd.ae		
<b>Specifications</b>			
Graduations:	0.5ml	Quality standard:	ISO 9001, ISO 13485,
Syringe material(s):	Polypropylene	Markings:	CE mark 0434
Fixed needle size:	23G x 1" (0.80 x 25 mm)	Pieces per carton:	1300
AD mechanism:	valve in the syringe hub	Volume per carton (ml):	0.055 ml
AD location:	Start of injection	Weight per carton (kg):	5.7 kg
Number of components:	3 pieces	Minimum order:	1300
Other needle options:	Yes	Incoforms:	EXW
Primary packaging:	Blister pack	Prices per unit:	100 000 units and more: 0.054 US\$ per piece
Year base price:	2016		
<b>Comments:</b>			
Current PQS status: pre-qualified: 29 Sep 2005 Valid until: May 2018			
Note: If Current PQS status is 'Suspended' or 'Withdrawn', this product is NOT to be purchased			

MDA Registration No.:

Item Code	Volume	Needle size	Quantity per Box	Quantity per Carton
SFG-01026	0.5ml	23G x 1" (0.6 x 25mm)	100	3,000



# MEDECO INJECT® REUSE PREVENTION SYRINGE

Three parts Hypodermic Syringe assembled with Auto Disable Needle.  
Individually blister packed, Sterilized by ETO, Pyrogen Free, Non-toxic & Latex Free.

As per ISO 7886-4

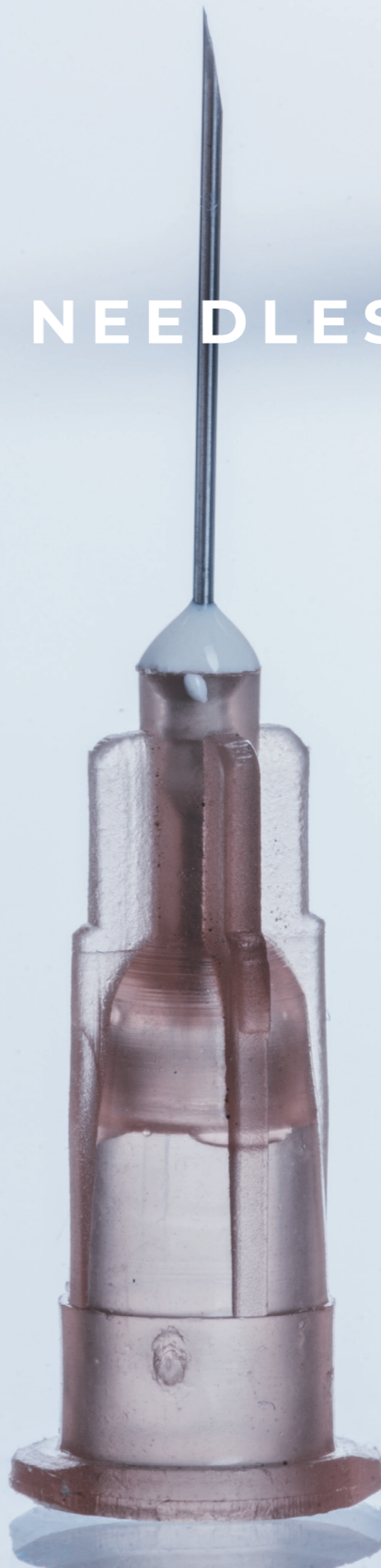


PERFORMANCE QUALITY SAFETY	
<b>E013:</b> Hypodermic syringes with reuse prevention feature	
POB code: <b>E013/099</b>	
Description: RUP syringe 2ml	
Manufacturer's reference: Medico08 Inject RUP 2ml	
Manufactured in: United Arab Emirates	
Company: Abu Dhabi Medical Devices Co. L.L.C	
Address: P.O.Box 30485, Abu Dhabi, United Arab Emirates	
Telephone: +971-2-4199100	
Email: info@medico.ae	
Web address: http://www.admd.ae	
Specifications	
Graduations: 0.1ml	Needle size: 21G x 1 1/2"
Syringe material(s): Polystyrene	Other needle options: Yes
Number of components: 3 pieces	Needle fixation: Fixed
RUP mechanism: Valve in needle hub	Primary packaging: Paper blister pack
RUP location: At start of injection	CE mark: Yes
RUP type: Type I.A.	
Pieces per carton: 500	Volume per carton (ml): 0.074ml
Minimum order: 100000	Weight per carton (kg): 4.2kg
Year base price: 2013	Incoterms: EXW
Price per unit: Upon request to manufacturer	
Quality standard: - ISO 9001 - ISO 13485 -	
Comments: Nominal capacity 2ml, graduations to 0.1ml	
Current PQS status: <b>Pre-qualified: 07 Nov 2013</b> Valid until: <b>May 2018</b>	
Note: If Current PQS status is "Suspended" or "Withdrawn".	

PERFORMANCE QUALITY SAFETY	
<b>E013:</b> Hypodermic syringes with reuse prevention feature	
POB code: <b>E013/100</b>	
Description: RUP syringe 5ml	
Manufacturer's reference: Medico08 Inject RUP 5ml	
Manufactured in: United Arab Emirates	
Company: Abu Dhabi Medical Devices Co. L.L.C	
Address: P.O.Box 30485, Abu Dhabi, United Arab Emirates	
Telephone: +971-2-4199100	
Email: info@medico.ae	
Web address: http://www.admd.ae	
Specifications	
Graduations: 0.1ml	Needle size: 21G x 1 1/2"
Syringe material(s): Polystyrene	Other needle options: Yes
Number of components: 3 pieces	Needle fixation: Fixed
RUP mechanism: Valve in needle hub	Primary packaging: Paper blister pack
RUP location: At start of injection	CE mark: Yes
RUP type: Type I.A.	
Pieces per carton: 500	Volume per carton (ml): 0.073ml
Minimum order: 100000	Weight per carton (kg): 4.9kg
Year base price: 2013	Incoterms: EXW
Price per unit: Upon request to manufacturer	
Quality standard: - ISO 9001 - ISO 13485 -	
Comments:	
Current PQS status: <b>Pre-qualified: 07 Nov 2013</b> Valid until: <b>May 2018</b>	
Note: If Current PQS status is "Suspended" or "Withdrawn".	

MDA Registration No.:

Item Code	Volume	Needle size	Quantity per Box	Quantity per Carton
SFG-23003	2/3 ml	21G x 1 1/2 " (0.8 x 40mm)	100	3,000
SFG-24003	5 ml	21G x 1 1/2 " (0.8 x 40mm)	100	3,000



NEEDLES

# CONVEMED® HYPODERMIC NEEDLE

ConveMed® Hypodermic Needle is made from high-quality stainless steel that is durable, sharp, and able to penetrate the skin smoothly. ConveMed offer a range of sizes to accommodate different injection sites and patient needs.

### Features:

- Medical grade stainless steel needle
- Colour coded needle stand for different sizes
- Individually blister packed
- Sterile, Non-pyrogenic, Non-toxic and Latex Free
- Needle size: 16G, 18-30G



Needle Size Specification

Gauge	Colour	Length (mm / inch)						
		13mm / 1/2"	10mm / 3/8"	16mm / 5/8"	19mm / 3/4"	25mm / 1"	32mm / 1 1/4"	38mm / 1 1/2"
30G	Yellow	●	●	●				
29G	Red	●	●	●				
28G	Blue Green	●	●	●		●		
27G	Grey	●	●	●		●		
26G	Brown	●	●	●		●		
25G	Orange			●	●	●		
24G	Purple					●		
23G	Dark Blue					●	●	●
22G	Black					●	●	●
21G	Green					●	●	●
20G	Yellow					●	●	●
19G	Cream					●	●	●
18G	Pink					●	●	●
16G	White					○	○	○

MDA Registration No.:

# MEDECO INJECT® HYPODERMIC NEEDLE

Stainless steel hypodermic needle fixed to 6% female Luer fitting, siliconised, colour coded and with protective sheath. Individually blister packed, sterilised by ETO, Endotoxin free and Non-toxic.



Item Code	Needle size
SFG-20125	16G x 1"
SFG-20122	16G x 1 1/4"
SFG-20119	16G x 1 1/2"
SFG-20116	16G x 2"
SFG-20083	18G x 1"
SFG-20077	18G x 1 1/2"
SFG-20092	19G x 1"
SFG-20089	19G x 1 1/4"
SFG-20086	19G x 1 1/2"
SFG-20128	19G x 2"
SFG-20074	20G x 1"
SFG-20071	20G x 1 1/4"
SFG-20066	20G x 1 1/2"
SFG-20009	21G x 1"
SFG-20006	21G x 1 1/4"
SFG-20003	21G x 1 1/2"
SFG-20018	22G x 1"
SFG-20015	22G x 1 1/4"
SFG-20012	22G x 1 1/2"
SFG-20027	23G x 1"
SFG-20024	23G x 1 1/4"
SFG-20021	23G x 1 1/2"

Item Code	Needle size
SFG-20030	24G x 1"
SFG-20033	25G x 1"
SFG-20039	25G x 5/8"
SFG-20036	25G x 3/4"
SFG-20131	25G x 1 1/2"
SFG-20042	26G x 1"
SFG-20048	26G x 5/8"
SFG-20051	26G x 3/8"
SFG-20045	26G x 1/2"
SFG-20054	27G x 1"
SFG-20063	27G x 3/8"
SFG-20057	27G x 5/8"
SFG-20060	27G x 1/2"
SFG-20095	28G x 1"
SFG-20104	28G x 3/8"
SFG-20098	28G x 5/8"
SFG-20101	28G x 1/2"
SFG-20134	29G x 3/8"
SFG-20132	29G x 5/8"
SFG-20133	29G x 1/2"
SFG-20113	30G x 3/8"
SFG-20107	30G x 5/8"
SFG-20110	30G x 1/2"

MDA Registration No.: GB8308522-93688